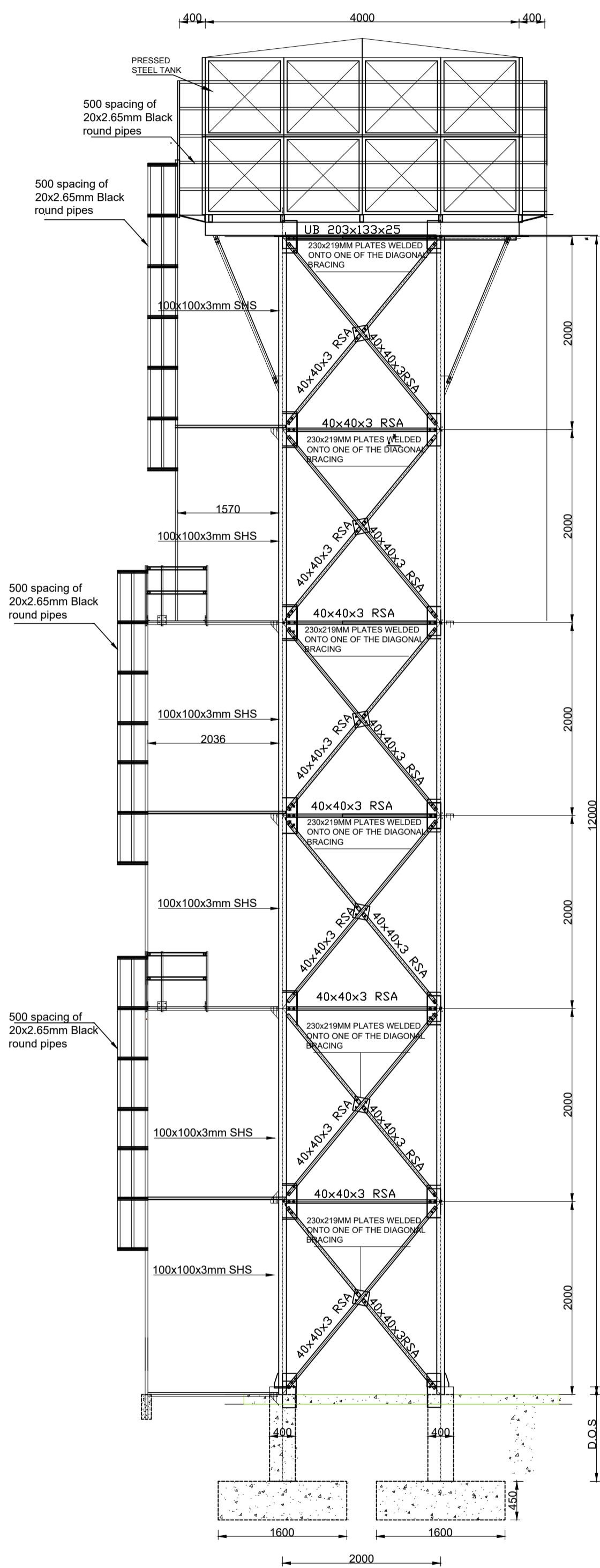
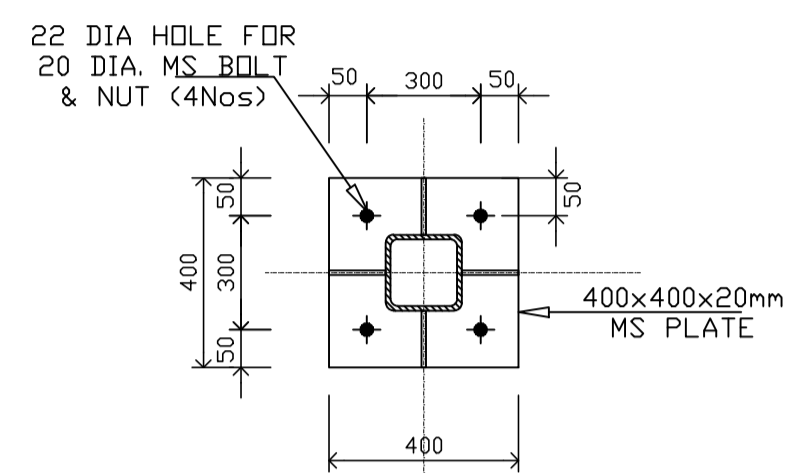


NOTES:

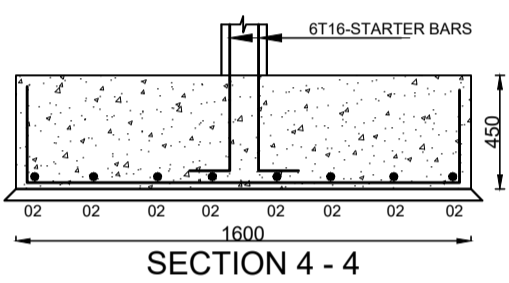
1. PRESSED STEEL WATER TANK TO BS 1564 TYPE 2
2. STEEL TOWER TO BS 449 - 1969
3. STEEL LADDER TO BS 4211
4. ALL FILLET WELDS NOT LESS THAN 6mm UNLESS OTHERWISE STATED
5. ALL GUSSET PLATES 6mm THICK
6. HOLES ON ANGLES AND GUSSET PLATES TO BE Ø18mm
7. ALL WELDS DESLAGGED AND IRE-BRASHED
8. TANK AND TOWER TO BE PAINTED ONE COAT OF PRIMER BEFORE DEPARTCH



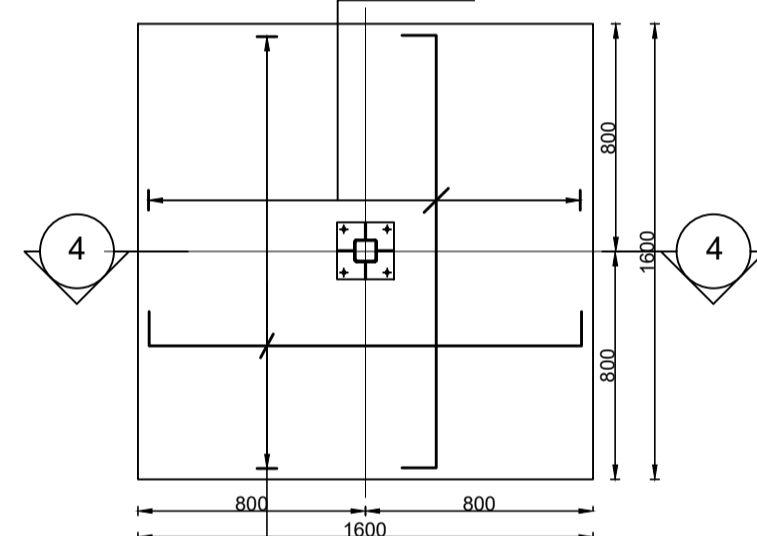
ELEVATION
1 : 50



BASE PLATE

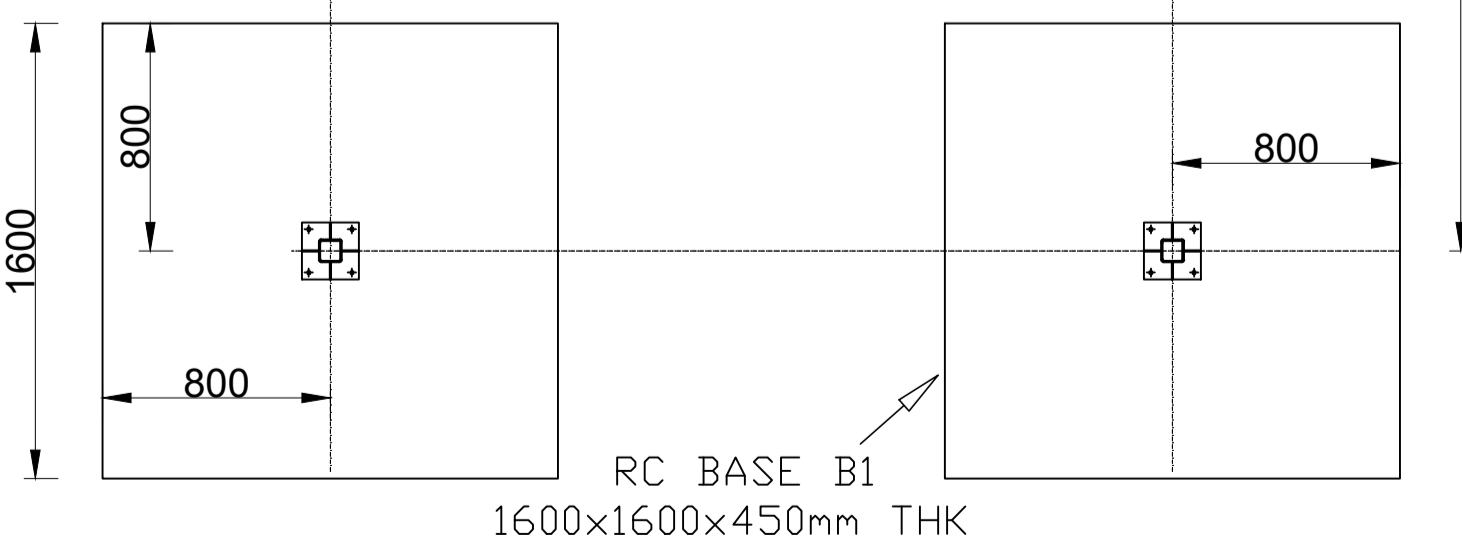
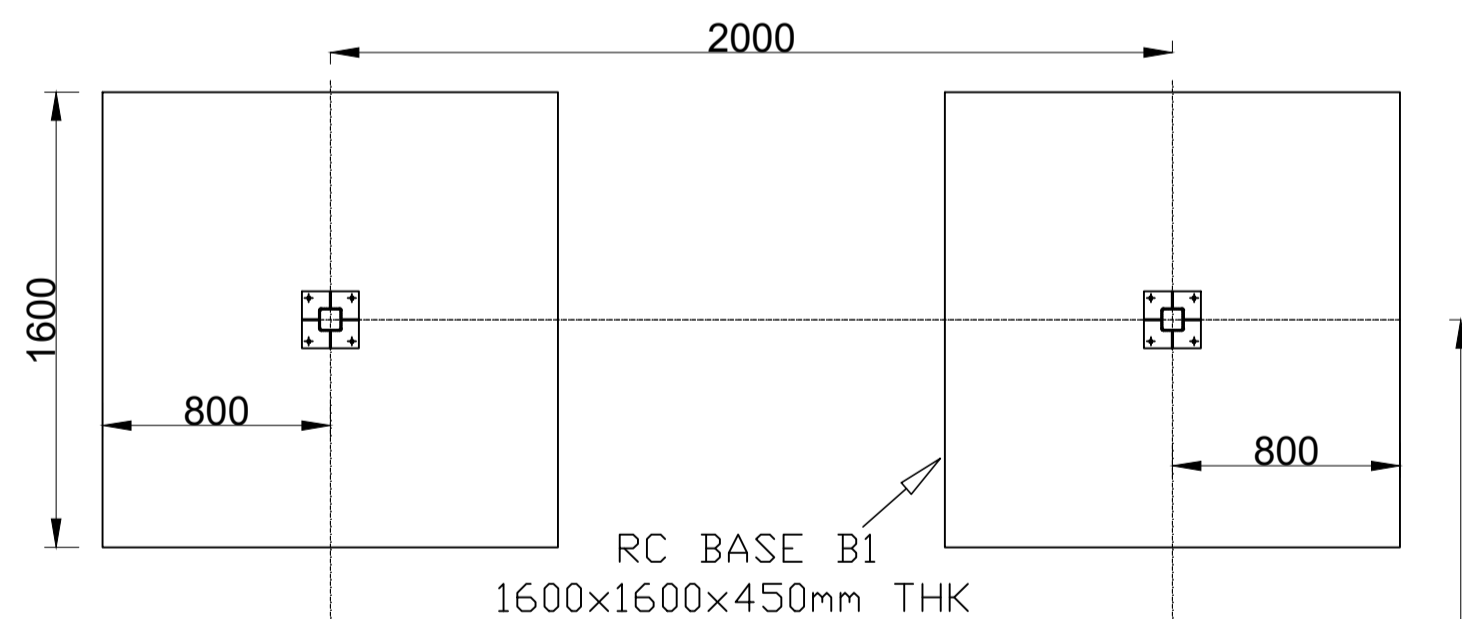


SECTION 4 - 4



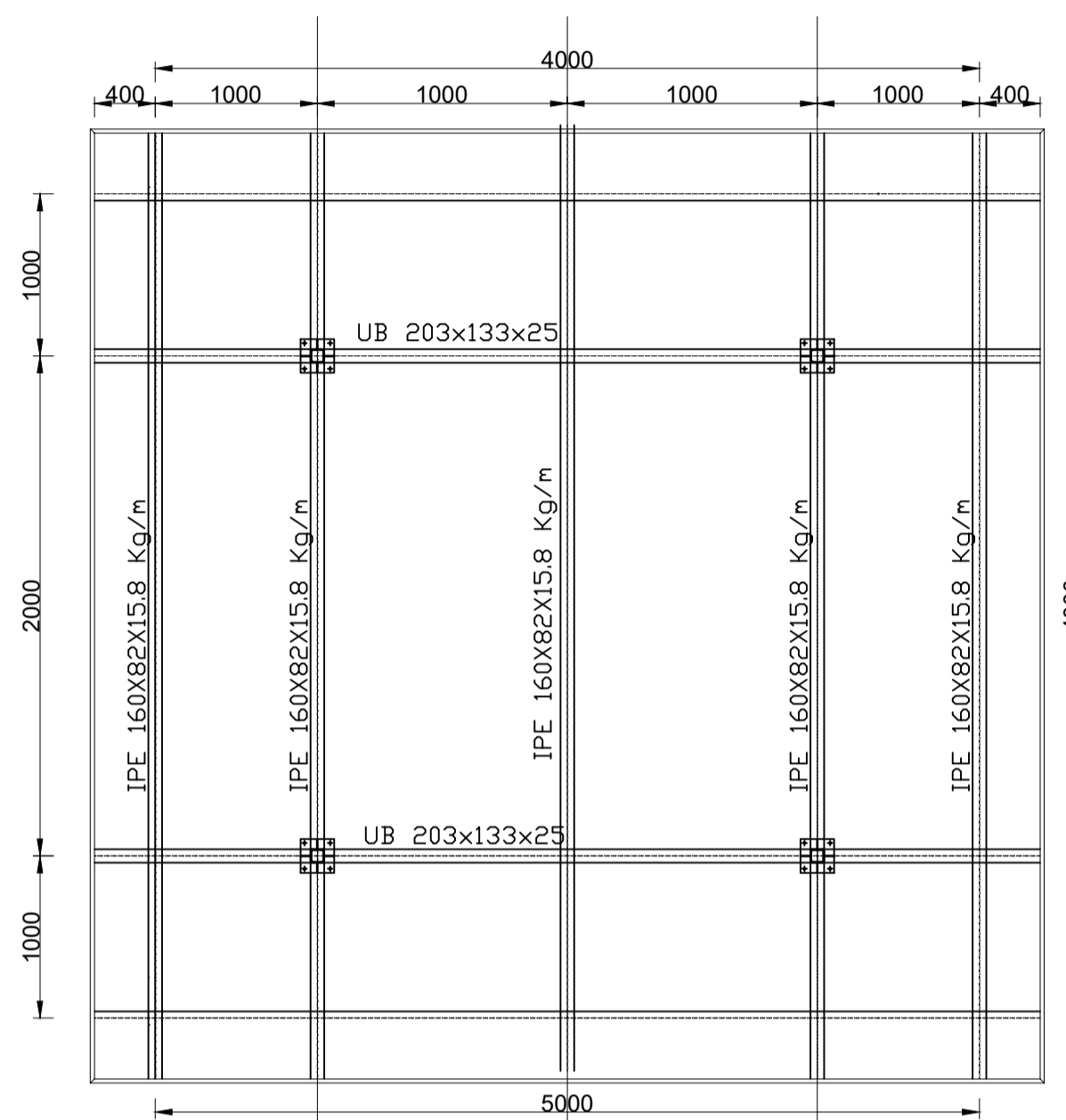
1600 SQ x 450 BASE B1

SCALE 1:25



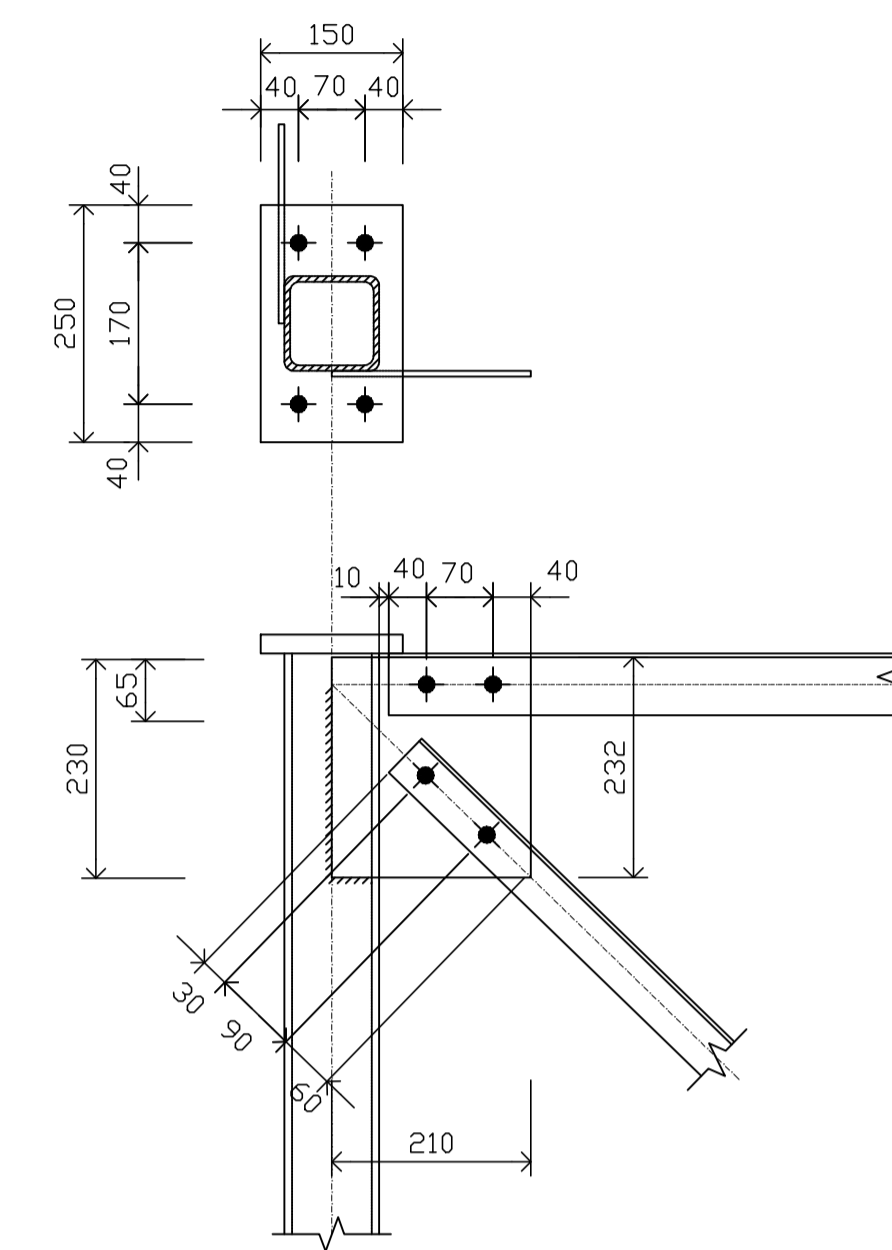
FOUNDATION LAYOUT

1 : 50



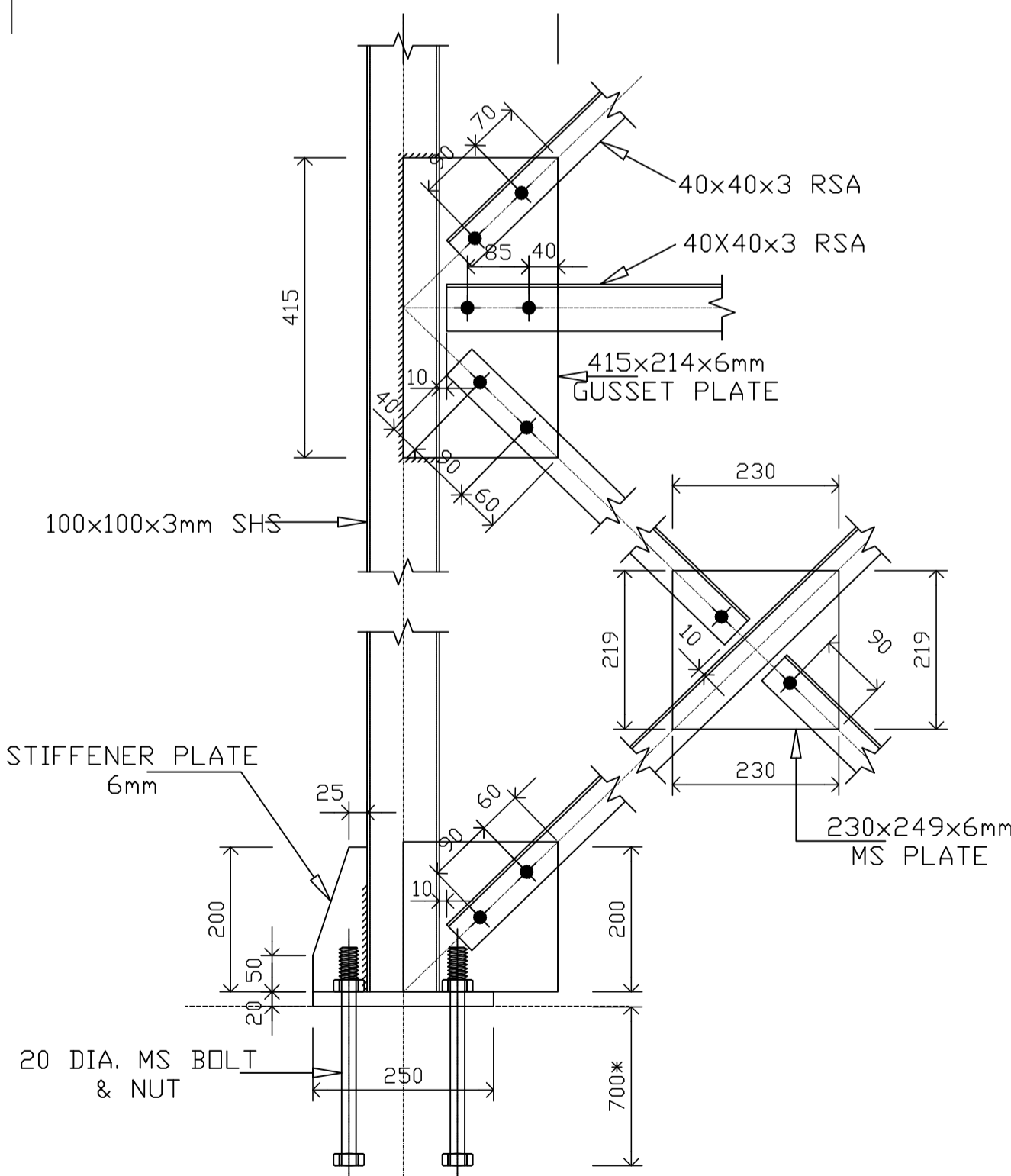
BEAM LAYOUT

1 : 50



CAP, TOP GUSSET PLTS &
HORIZONTAL BRACING DETAILS

1 : 10



BASE, GUSSET PLTS &
DIAGONAL BRACINGS DETAILS

1 : 10

NOTES:

1. ALL DIMENSIONS AND CONDITIONS MUST BE CHECKED ON SITE AND ANY DISCREPANCIES REFERRED TO THE ENGINEER
2. DEPTH OF FOUNDATION TO BE DETERMINED ON SITE. ALL DIMENSIONS ARE IN MILLIMETERS UNLESS OTHERWISE STATED.
3. ALL FOUNDATIONS TO BE TAKEN DOWN TO FIRM BEARING STRATA TO ENGINEER'S APPROVAL. PROVIDE ANTI-TERMITE TREATMENT UNDER THE SLAB.
5. THE CONCRETE USED SHALL BE OF CLASS 20/20 (1:2:4) QUALITY CONTROLLED AND MECHANICALLY VIBRATED IN ACCORDANCE WITH THE SPECIFICATIONS AND TO STRUCTURAL ENGINEER'S APPROVAL.
6. CEMENT FOR STRUCTURAL CONCRETE SHALL NOT BE LESS THAN GRADE 32.5 N/mm².
7. ALL LOAD BEARING WALLS TO BE 200mm THICK NATURAL STONE/CONCRETE BLOCKS. MINIMUM CRUSHING STRENGTH 10 N/mm².
8. TYPICAL COVER TO MAIN REINFORCEMENT SHALL BE AS FOLLOWS:
(i) FOUNDATIONS - 50mm
(ii) COLUMNS - 40mm
(iii) BEAMS - 25mm
9. MASS CONCRETE TO BE GRADE 15(1:3:6 MIX)
10. ALL FILLET WELDS NOT LESS THAN 6mm
11. ALL GUSSET PLATES 6mm THICK
12. ALL STEEL WORKS SHALL BE OF GRADE S275.
13. UNIT WEIGHT OF STEEL SECTIONS
a)

PROGRAMME:

LIVESTOCK MARKET SYSTEMS (LMS)
A USAID funded program implemented
by ACDI/VOCA
House 82, UN Crescent,
P.O. Box 1308-00606,
Sarit Centre, Nairobi, KENYA

APPROVAL:

COUNTY PUBLIC HEALTH OFFICER - ISIOLO

signature:

COUNTY WORKS OFFICER - ISIOLO

signature:

PROJECT DESCRIPTION :

PROPOSED ELEVATED WATER TANK FOR THE
BULA PESA IRRIG. SUPPLY PROJECT - ISIOLO

DRAWING TITLE:

ELEVATED WATER TANK - DETAILS
AND SECTIONS

CONSULTANT:

DESIGNED BY: C. KIRUI

DRAWN BY: C. KIRUI

CHECKED BY: N. BOSUBEN

DATE: FEB 2022

SCALE: AS SHOWN

SHEET No: 1/1

DRG No. 03

REV. 2/2