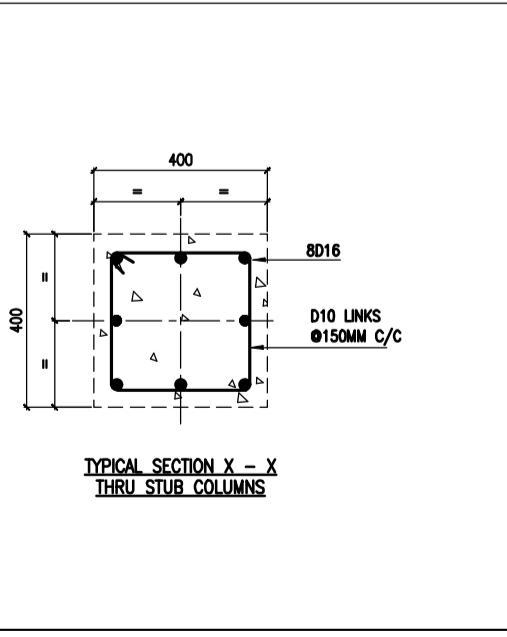
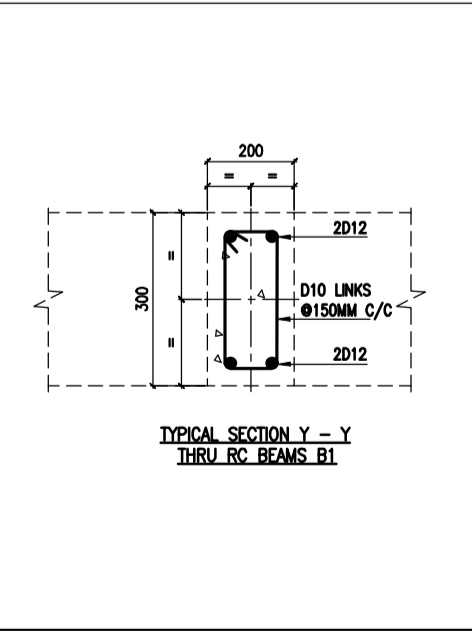


- NOTES:**
1. MIX OF CONCRETE TO ATTAIN THE STRENGTH OF  $F_{cu} 25 \text{ N/mm}^2$
  2. CONCRETE MIX 1:2:4
  3. CONCRETE MIX 1:4:8 BUNDLING
  4. WATER CEMENT RATIO 0.5
  5. CUBE STRENGTH 28 DAYS -  $25 \text{ N/mm}^2$
  6. REINFORCEMENT STEEL STRENGTH -  $450/250 \text{ N/mm}^2$
  7. COVER TO BASE - 50mm
  8. COVER TO COLUMN - 40mm
  9. CONTRACTOR TO CONFIRM CHECK DIMENSION USING STEEL TAPE MEASURE.
  10. HOLDING DOWN BOLTS TO BE CAST TO  $\pm 5\text{mm}$  ACCURACY AND SHOULD BE RECAST IF THIS TOLERANCE IS EXCEEDED.
  11. CONTRACTOR TO CONFIRM LEVELS OF FOUNDATIONS.
  12. ASSUMED GROUND BEARING PRESSURE -  $150 \text{ kN/m}^2$



REVISIONS			
NO.	DATE	BY	DESCRIPTION

CLIENT: Merti Integrated Development Program

PROJECT: PROPOSED 1 NO. 12.0M HIGH TOWERS FOR 1 NO 50 CUM PRESSED PANEL STEEL TANK - ISIOLO COUNTY

DRAWING TITLE: **RC FOUNDATION DETAILS & H.D. BOLTS LAYOUT**

SCALE: HTS	DESIGNED: D.ARONI
DATE: 5th JUNE 2023	DRAWN: D.ARONI
DRAWING NO.: SEL-TT-01	REVISIONS: