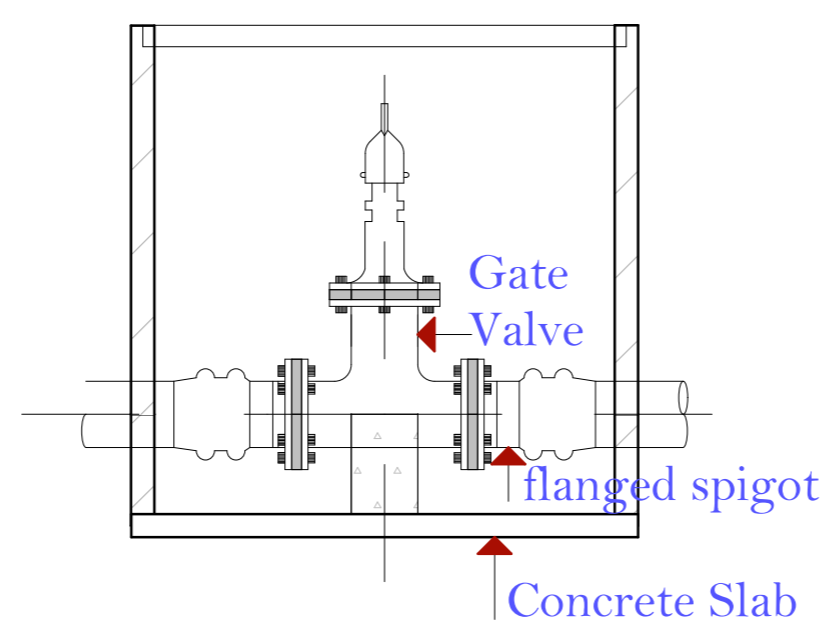
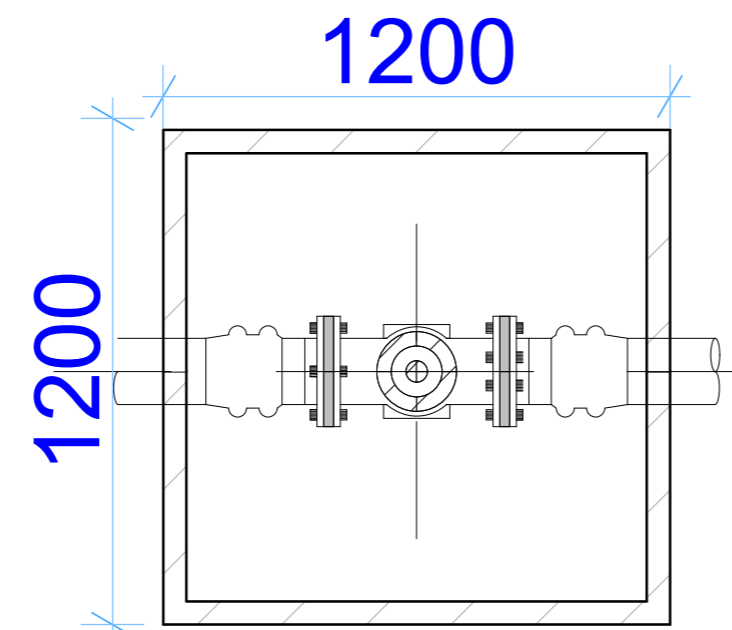
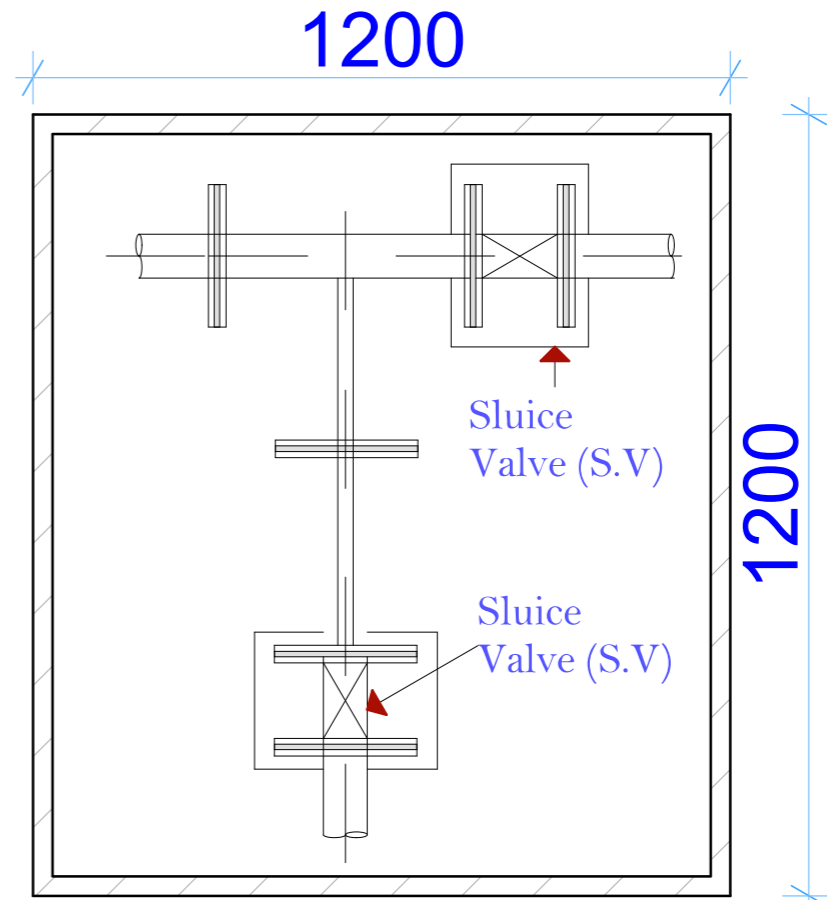


AIR VALVE
Plan & Cross Section
of 50mm dia Air Valve Chamber



SLUICE VALVE
Plan & Cross Section
of Sluice Valve Chamber



Plan of Junction
Valve Chamber

NOTES

- CONSTRUCTION**
- All slabs at ground level to be poured over 1000 gauge polythene sheeting on 50 mm thick stone dust, on hardcore.
 - All soil under slab and all around external foundations to be poisoned with chemical Anti-termite spray.
- CIVIL**
- All soil on cut embankments to be stabilized. The slope not to exceed the natural angle of repose.
- STRUCTURAL**
- All black cotton soil to be removed from below all buildings and paved surfaces. Buildings to be clear of black cotton soil to a distance of 3 m outside the perimeter.
 - For all R.C work, refer to Structural Engineer's details.
 - Depth of foundations to be determined on site to Structural Engineer's approval.
 - All walls less than 200mm thick to be reinforced with hoop irons at every alternate course.
 - All adjacent R.C works and masonry walls to be tied with strap irons at every course.
- MECHANICAL**
- All plumbing and drainage to comply with City Council's specifications.
 - SVP denotes soil vent pipe to be provided at the head of the drainage.
 - Drains passing beneath buildings and driveways to be encased in 150mm thick concrete surround.
 - All underground foul and waste drain pipes shall be UPVC to comply with BS2555.
 - All inspection chambers' covers and framing shall be cast iron to comply with BS497 table 2 Grade A.
 - The storm water drain pipe to comply with BS556.
 - Minimum slope in the drain pipes to be 1%.
 - No chases will be allowed in the slabs for pipes. Sleeves will be allowed with written approval of the S.E.
 - All testing pipes must be completed before plastering.
 - All mechanical work must be coordinated with the Mechanical and Electrical Engineers and any conflicts must be clarified before works begin.
 - All conduits must be laid before plastering.

LEGEND

No.	DATE	REVISIONS	SIGN

No.	DATE	REVISIONS	SIGN

DISTRICT WATER OFFICE
P.O BOX 580-60300
ISIOLO

PROJECT:
Riga Water supply project

CLIENT:
Merti Integrated Development Program

Timbits Architects
Architects Interior Designers Project Managers
P.o Box 291 - Isiolo
Kenya.
timbitsarch@yahoo.com

SHEET TITLE:
Valve Chambers

Drawn by: T.F.M.	Checked by: S.K.Njuga	SCALE: 1:100	Sheet No.:
Designed /surveyed: G.M. Marine	DATE: Nov 2023		